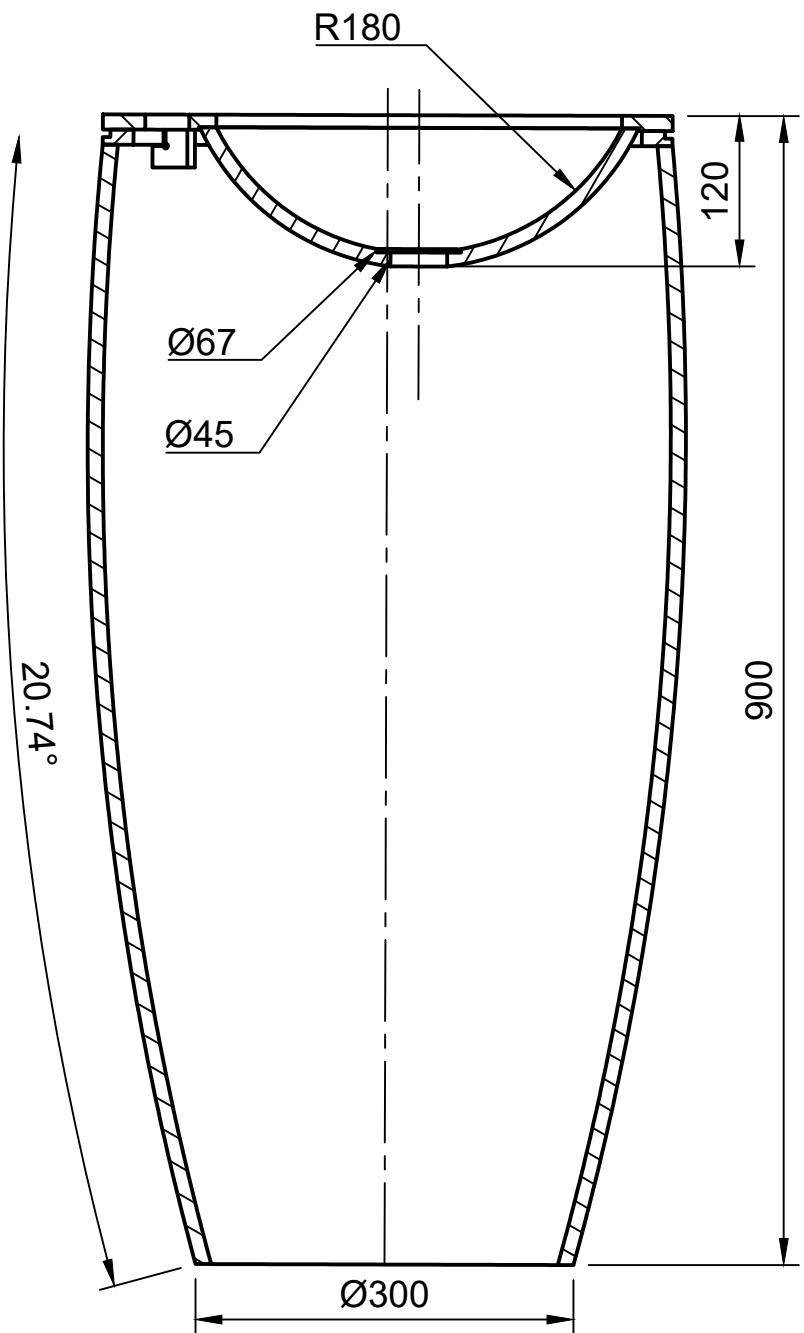
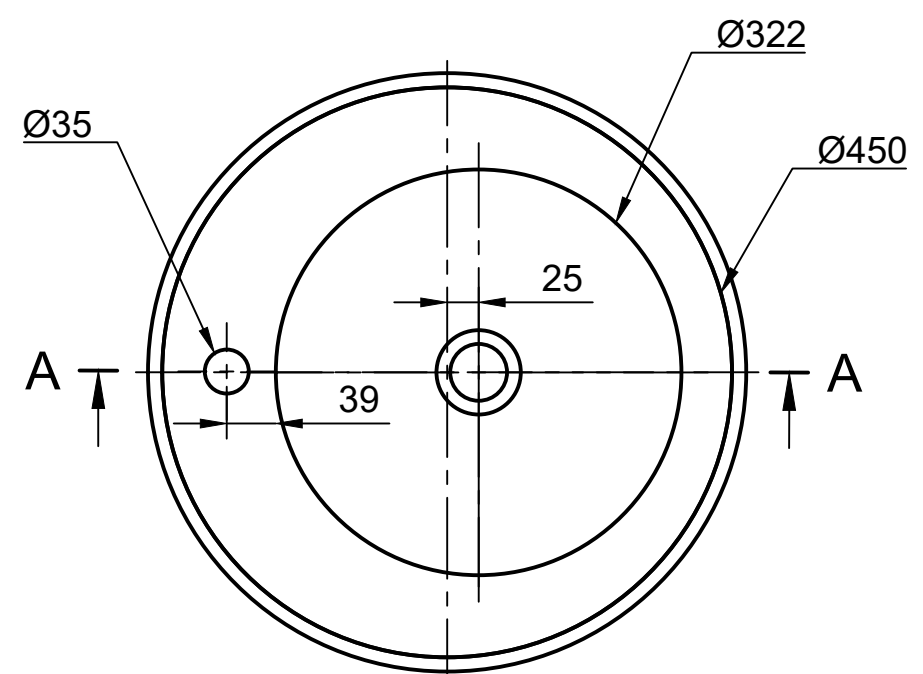
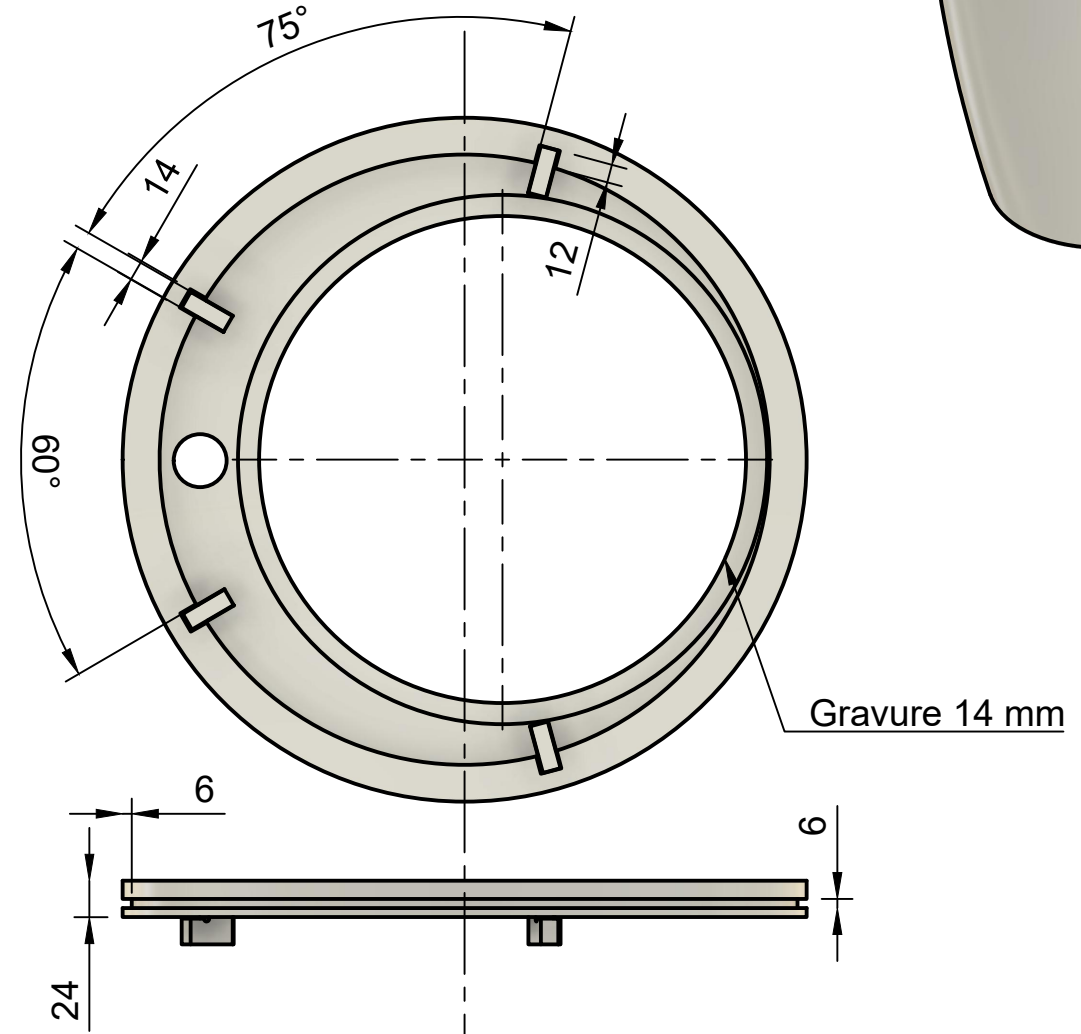
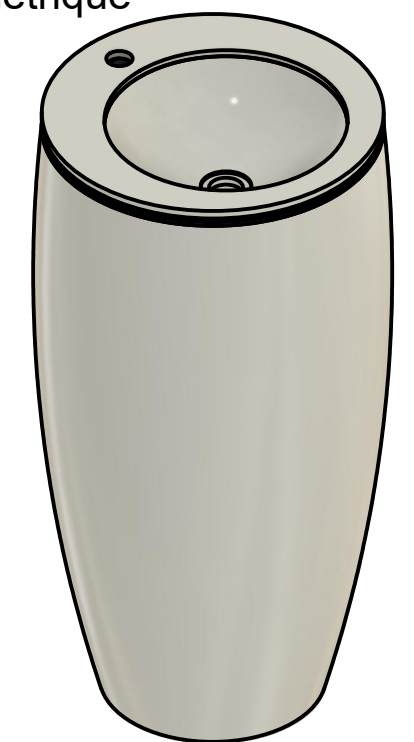



A-A (1:6)



Vue isométrique



Ensemble de fermeture

Dept. BE	Technical reference A-22-016	Created by HOMY.TN	15/02/2022	Approved by
		Document type DWG	Document status IN PROGRESS	
		Title Vasque M1 D450-900	DWG No. A-22-016-01	
		Rev. A	Date of issue 11/05/2022	Sheet 1/1